

Autoclave Basket Overview Horizontal Models

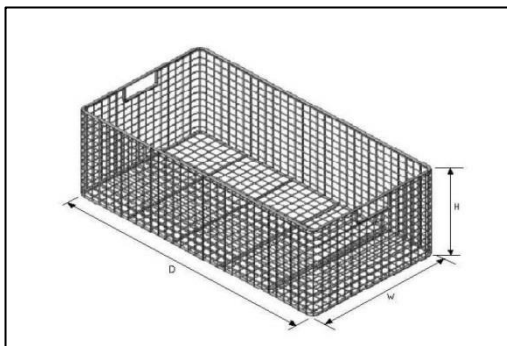
*"Advantage-Lab autoclaves prove their quality all over the world.
Reliable sterilization since generations."*



Model	Article	Basket type	Basket fits in autoclave	D in mm	W in mm	H in mm
AL02-01-100	AL02-01-150	Wire mesh	1	400	170	140
	AL02-01-151	Closed	1	400	170	140
AL02-03-100	AL02-03-150	Wire mesh	1	400	170	140
	AL02-03-151	Closed	1	400	170	140
AL02-05-100	AL02-05-150	Wire mesh	1	500	210	185
	AL02-05-151	Closed	1	500	210	160
AL02-07-100	AL02-07-150	Wire mesh	1	680	260	225
	AL02-07-151	Closed	1	680	260	200
AL02-09-100	AL02-09-150	Wire mesh	1	680	260	225
	AL02-09-151	Closed	1	680	260	200
AL02-11-100	AL02-11-150	Wire mesh	1	500	260	225
	AL02-11-151	Closed	1	500	260	200
AL02-13-100	AL02-13-150	Wire mesh	1	500	260	225
	AL02-13-151	Closed	1	500	260	200

Material: Stainless Steel 316

Wire mesh type



Closed type

